



Sovitron Interior Pvt.Ltd.



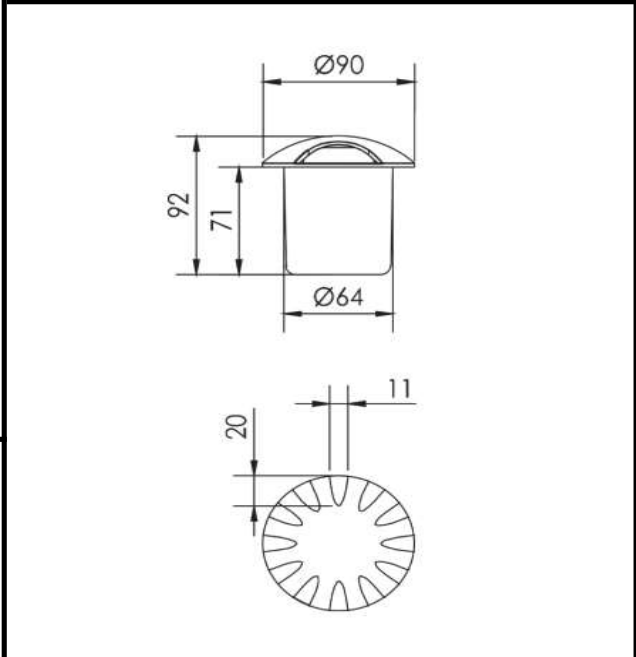
<b>Model Name</b>	URBANA-2104D/ DL-OSL-2104DB-12
<b>Description</b>	Inground Light 12 Side light

Technical description	Image
-----------------------	-------

<b>Dimension</b>	Dia=90mm Cutout=64mm H=92mm
<b>Frame</b>	Aluminum die cast
<b>Color Tempertaure</b>	4000K
<b>Power</b>	8W
<b>Total Luminous Flux</b>	400 lm
<b>Efficacy</b>	50 lm/W
<b>IP rating</b>	67
<b>Color Rendering</b>	≥80
<b>Mounting</b>	Buried
<b>Beam angle</b>	12x15°
<b>Optics</b>	Polycarbonate diffuser
<b>Dimming</b>	NON-Dimmable
<b>Operating Voltage</b>	220-240 VAC
<b>Standard Lifetime</b>	L70 minimum at 50,000 burning hours



Dimension diagram
-------------------



**Remarks:-**

Address: Plot #7 Saroorpur-Nangla Industrial Area,Ballabgarh-Sohna Road,Faridabad-121005  
Email: [info@sovitron.com](mailto:info@sovitron.com)